

DESCRIPTION

AMC MODEL SW-2182-2AT IS AN ABSORPTIVE SPDT SWITCH MODULE WITH INTEGRAL TTL DRIVER AND BUILT IN VIDEO FILTER.

SPECIFICATIONS

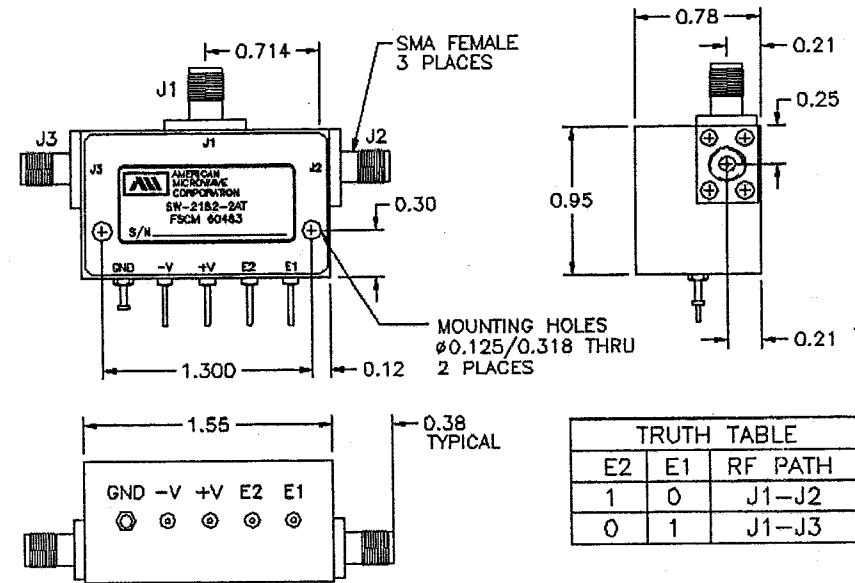
- FREQUENCY RANGE 2-18 GHz MINIMUM
- INSERTION LOSS 1-12 GHz, 3.5 dB MAXIMUM
12-18 GHz, 4.5 dB MAXIMUM
- ISOLATION 1-12 GHz, 70 dB MINIMUM
12-18 GHz, 55 dB MINIMUM
- VSWR (ON/OFF) 2.0:1 MAXIMUM
- SWITCHING TIME
RISE (10% RF TO 90% RF) 100 ns MAXIMUM
FALL (90% RF TO 10% RF) 100 ns MAXIMUM
ON (50% TTL TO 90% RF) 150 ns MAXIMUM
OFF (50% TTL TO 10% RF) 150 ns MAXIMUM
- CONTROL TTL COMPATIBLE, UNITY LOAD
LOGIC "0" = INSERTION LOSS
LOGIC "1" = ISOLATION
(SEE TRUTH TABLE)
- RF POWER RATINGS +27 dBm CW MAXIMUM
- POWER SUPPLY +5VDC ±5% @ 80 mA MAXIMUM
-5VDC ±5% @ 80 mA MAXIMUM
- RF LEAKAGE (CONDUCTIVE/RADIATED) -60 dBc MAXIMUM
- CONNECTORS
RF INPUT/OUTPUT SMA (FEMALE)
POWER SOLDER PIN
CONTROL SOLDER PIN
- SIZE 1.55" x 0.95" x 0.78"

AVAILABLE OPTIONS

- A01 50Ω CONTROL IMPEDANCE
- A02 100Ω CONTROL IMPEDANCE
- A03 INVERSE CONTROL LOGIC (LOGIC "0" = ISOLATION)
- A08 SINGLE CONTROL (LOGIC "0" = J1-J2 PATH "ON")
- A14 J1 SMA MALE, J2 AND J3 SMA FEMALE
- A15 J1 SMA FEMALE, J2 AND J3 SMA MALE
- A16 ±9V TO ±18V DC SUPPLY

REVISIONS			DATE	APPROVED
ZONE	REV.	DESCRIPTION		
A		ORIGINAL RELEASE, JOB # 2707E	11/22/92	<i>My</i>

MECHANICAL OUTLINE




TRUTH TABLE		
E2	E1	RF PATH
1	0	J1-J2
0	1	J1-J3

NOTES:

- 1) DIMENSIONS ARE IN INCHES [MILLIMETERS]
- 2) TOLERANCES: X.XX ±0.020
X.XXX ±0.010
- 3) WEIGHT: APPROX. 3.0 OZ

ENVIRONMENTAL RATINGS

- TEMPERATURE -55°C TO +95°C (OPERATING)
-65°C TO +125°C (STORAGE)
- HUMIDITY MIL-STD-202F, METHOD 103B COND. B
- SHOCK MIL-STD-202F, METHOD 213B COND. B
- VIBRATION MIL-STD-202F, METHOD 204D COND. B
- ALTITUDE MIL-STD-202F, METHOD 105C COND. B
- TEMPERATURE CYCLE MIL-STD-202F, METHOD 107D COND. A

		AMERICAN MICROWAVE CORPORATION 7311G GROVE RD., FREDERICK, MD. 21701 TEL: (301) 662-4700 FAX: (301) 662-4938	
APPROVALS	DATE	PRODUCT FEATURE	
DRAWN <i>WSP</i>	11/22/92	SW-2182-2AT	
CHECKER <i>[Signature]</i>	11/22/92	2-18 GHz, NON-REFLECTIVE, SPDT SWITCH MODULE	
SIZE A		SHEET 1 OF 2	
		DWG. # 100-2866	